

AKS - C NCDC - Ground Fault Sensors

$I_{PN} = 5 \dots 950 \text{ mA}$

Combine a current transformer, signal conditioner and limit alarm into a single package. The AKS series has an extended current input range, universal solid-state outputs and a wide frequency response. The output state is Normally Closed for DC output.



Electrical data

I_p	Primary current	5 .. 950	mA AC
S	Output signal	0.15 A @ 30 VDC	
f	Frequency range	50-400	Hz
V_c	Supply voltage (Operates 55-110% of V_c):	AKS - C NCDC 120 FS	120 VAC
		AKS - C NCDC 120 NF	120 VAC
		AKS - C NCDC 240 FS	240 VAC
		AKS - C NCDC 240 NF	240 VAC
		Supply voltage (Operates +/-10% of V_c):	
	AKS - C NCDC 24U FS	24	VAC/DC
	AKS - C NCDC 24U NF	24	VAC/DC
V_b	Rated voltage (CAT III, PD2)	150	VAC
V_d	R.m.s. voltage for AC isolation test, 50 Hz, 1 mn	3	kV

Accuracy - Dynamic performance data

t_r	Response time @ 105 % of $I_{p \text{ adj}}$	200	ms
	@ 150 % of $I_{p \text{ adj}}$	60	ms
	@ 600 % of $I_{p \text{ adj}}$	15	ms

General data

T_A	Ambient operating temperature	- 15..+ 70	°C
m	Mass	140	g
	Safety	IEC 61010-1	
	EMC	EN 61326	

Options

FS	Normally Energized: Protection from faults and loss of control power.
NF	Normally Deenergized: Protection from faults only when control power is applied

		Control power applied		
		No Power	No fault	Fault
FS		Closed	Open	Closed
NF		Closed	Closed	Open

Features

- Operation to Match Your Application: Auto-Reset—For controlling shunt trip breakers.
- Factory adjusted setpoint.
- Compatible with Standard Equipment
Works on 1 phase or 3 phase power. Controls standard shunt trip breakers or contactors. Tie into Emergency Circuits (EMO/EPO).
- Isolated
Magnetically isolated from the monitored circuit and control power.

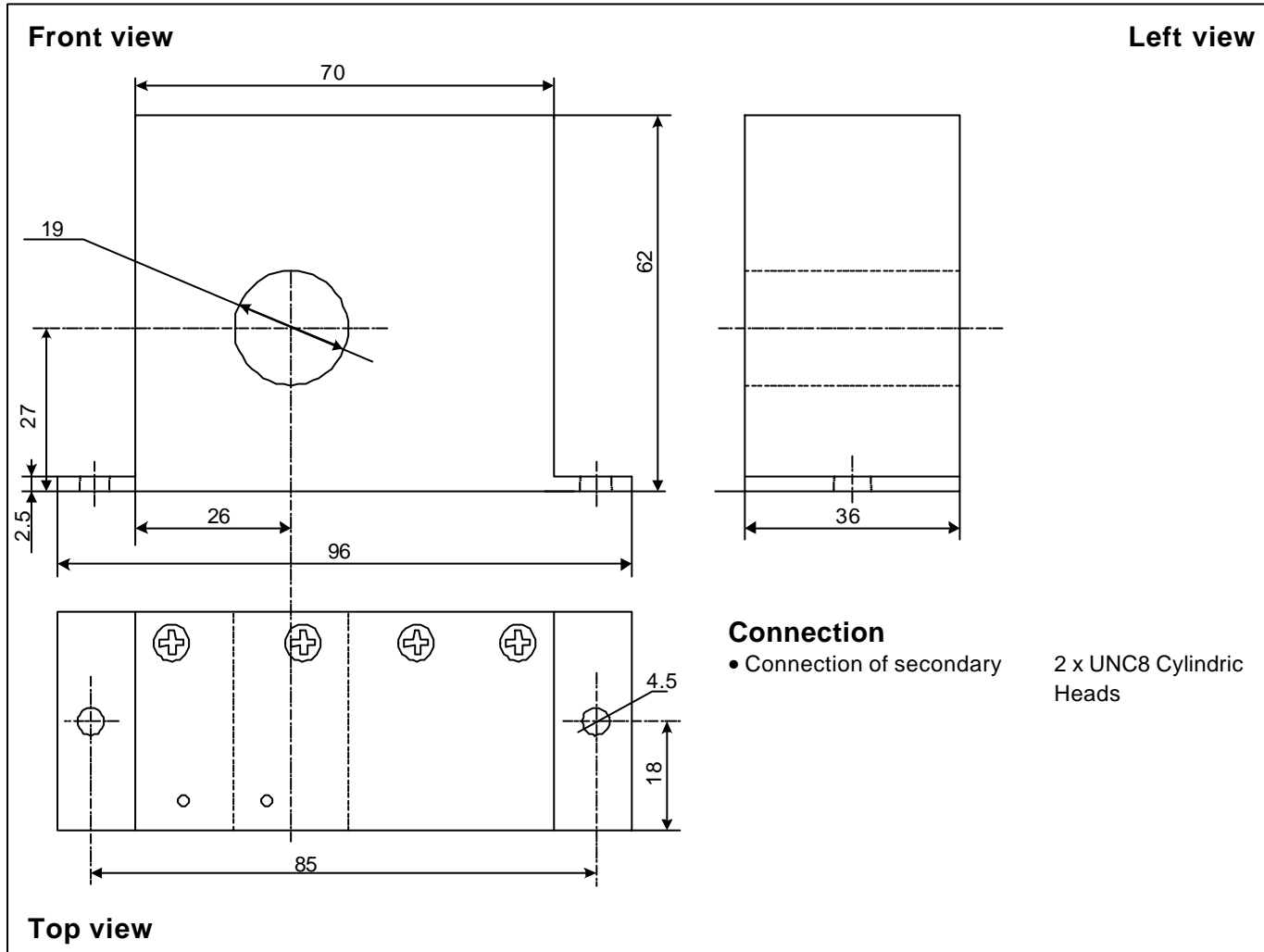
Applications

Regulatory Approval
Meet requirements by industry groups and governments for Ground Fault Protection.

$I_{p \text{ adj}}$: Setpoint current adjusted by the user.

040906/2

Dimensions AKS - C NCDC- (in mm. 1 mm = 0.0394 inch)



Mechanical characteristics

- General tolerance ± 1 mm
- Fastening 2 holes $\varnothing 4.5$ mm
- Primary through-hole $\varnothing 19$ mm

Remarks

- Temperature of the primary conductor should not exceed 60°C.
- Dynamic performances (di/dt and response time) are best with a single bar completely filling the primary hole.